

FAUQUIER COUNTY  
**WATER & SANITATION AUTHORITY**  
7172 Kennedy Road • Vint Hill Farms  
Warrenton, Virginia 20187-3907  
Phone (540) 349-2092 • Fax (540) 347-7689



## UTILITY STANDARDS MANUAL AMENDMENT FORM

The Authority's Utility Standards Manual is hereby amended as follows:

### Section Being Amended:

Standard Details (Revisions and Additions to)

### From:

Standard Details WM-01, WM-02 and WM-03 currently provide the requirements for water service connections and meters for water services using meters sized 5/8" x 3/4", Full 3/4" and 1", respectively. There is no requirement included, nor provisions made, for "split" water service connections for any water service using a meter larger than 5/8" x 3/4".

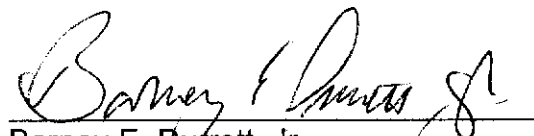
### To:

The attached Standard Details (copies attached) amend the Authority's standard water connections such that "split" connections are required for all meter sizes up to 1". Standard Details WM-01, WM-02 and WM-03 have been revised so that they provide requirements for only their respective meter sizes. The new Standard Detail WS-01 provides service connection requirements for water services which will use all meter sizes up to and including 1".

*The following Standard Details are to be put into use immediate use on water systems owned by the Fauquier County Water and Sanitation Authority:*

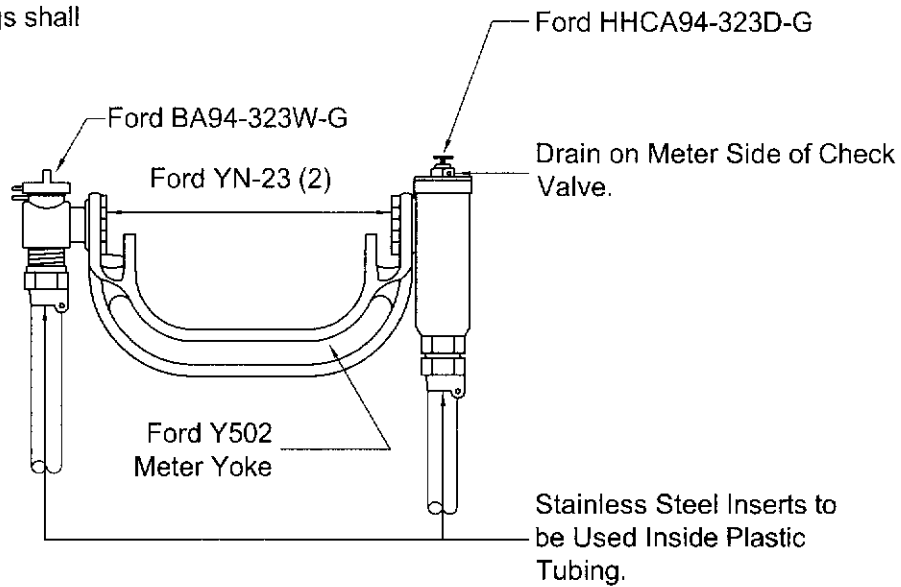
- Revised Standard Detail WM-01 - Standard 5/8" x 3/4" Water Meter Box & Fittings**
- Revised Standard Detail WM-02 - Standard Full 3/4" Water Meter Box & Fittings**
- Revised Standard Detail WM-03 - Standard 1" Water Meter Box & Fittings**
- NEW Standard Detail WS-01 - Standard Water Service Connection for Water Meter Sizes Up to 1"**

Approved:

  
Barney E. Durrett, Jr.  
General Manager

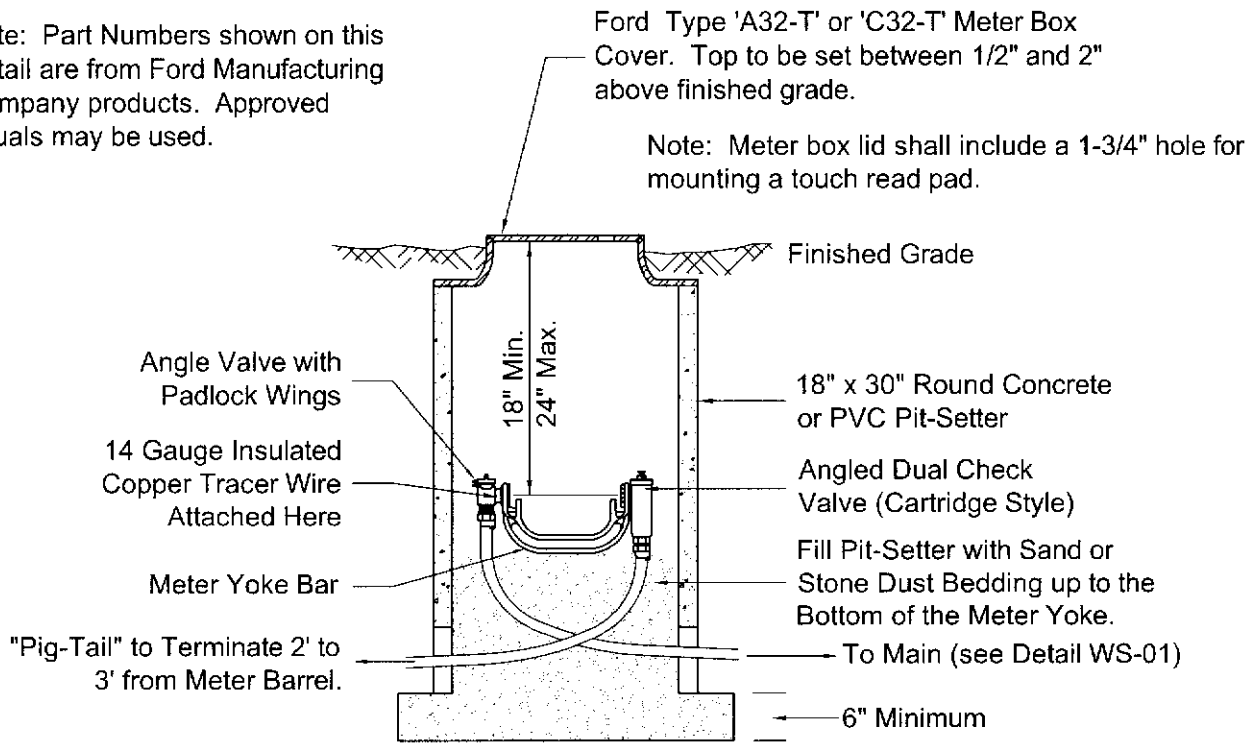
5-11-09  
Date

Note: ALL compression fittings shall include grip joints.



**Meter Yoke Detail**

Note: Part Numbers shown on this Detail are from Ford Manufacturing Company products. Approved equals may be used.



**Meter Box Detail**  
for 5/8" x 3/4" Water Meter

Note: See Standard Detail WS-01 for service connection requirements.

**WM-01**



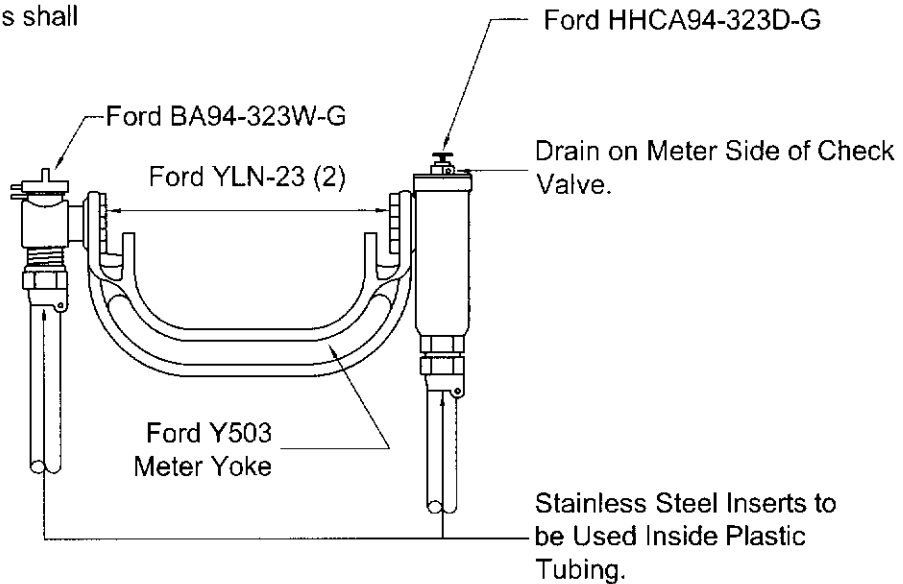
Fauquier County  
Water and Sanitation Authority

Standard 5/8" x 3/4"  
Water Meter Box & Fittings

Not to Scale

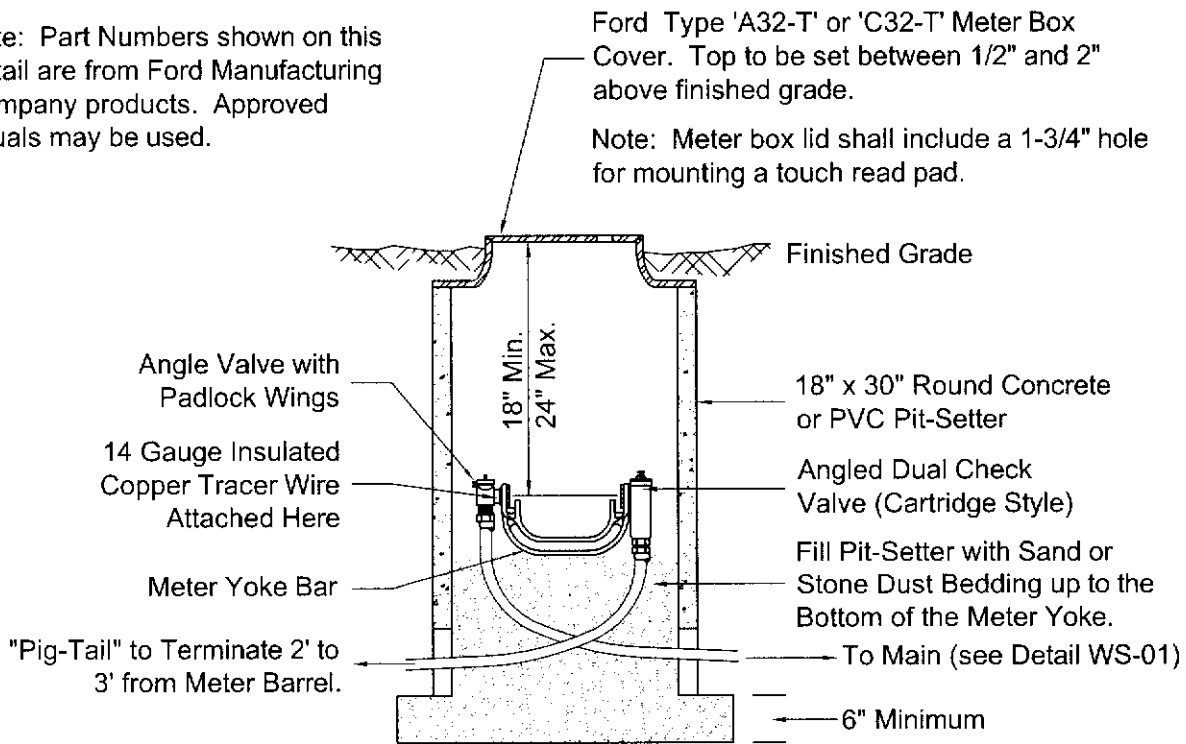
Revised: 06/11/09

Note: ALL compression fittings shall include grip joints.



**Meter Yoke Detail**

Note: Part Numbers shown on this Detail are from Ford Manufacturing Company products. Approved equals may be used.



**Meter Box Detail**  
for Full 3/4" Water Meter

Note: See Standard Detail WS-01 for service connection requirements.

**WM-02**



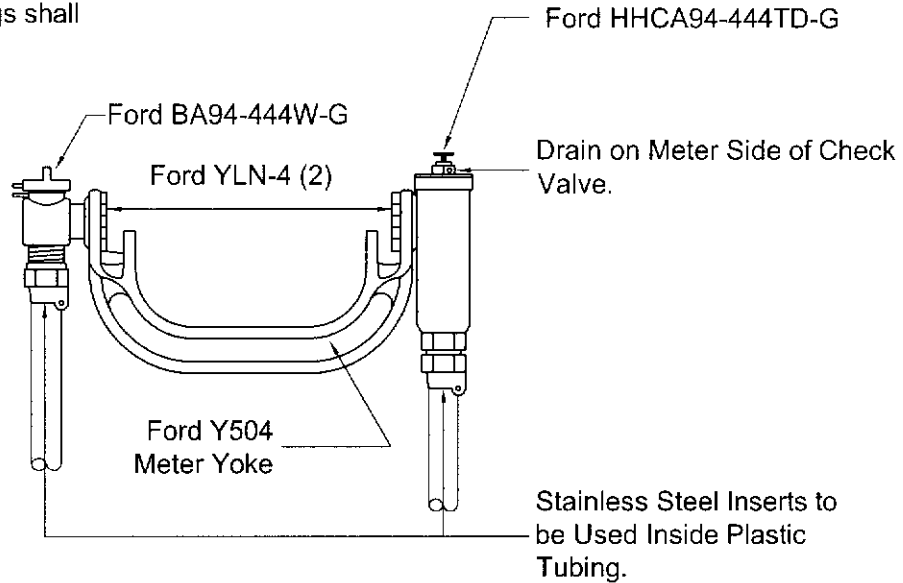
Fauquier County  
Water and Sanitation Authority

Standard Full 3/4"  
Water Meter Box & Fittings

Not to Scale

Revised: 06/11/09

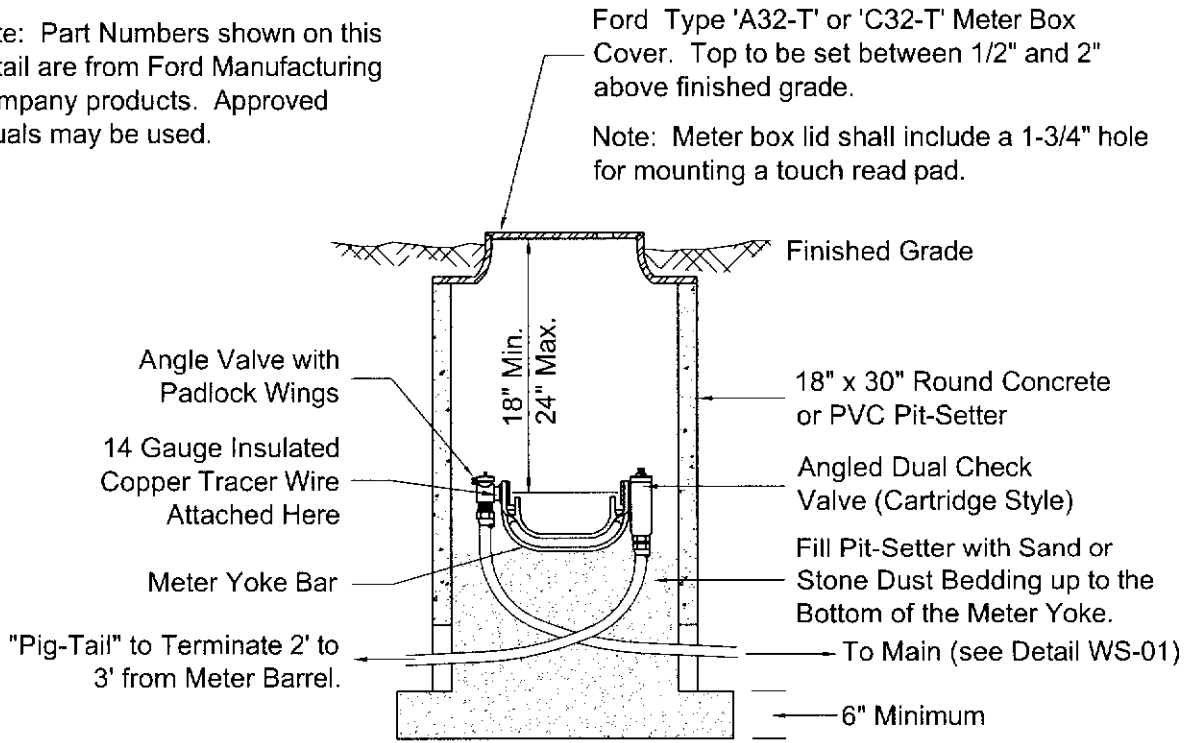
Note: ALL compression fittings shall include grip joints.



Meter Yoke Detail

Note: Part Numbers shown on this Detail are from Ford Manufacturing Company products. Approved equals may be used.

Ford Type 'A32-T' or 'C32-T' Meter Box Cover. Top to be set between 1/2" and 2" above finished grade.  
 Note: Meter box lid shall include a 1-3/4" hole for mounting a touch read pad.



Meter Box Detail  
for 1" Water Meter

Note: See Standard Detail WS-01 for service connection requirements.

WM-03

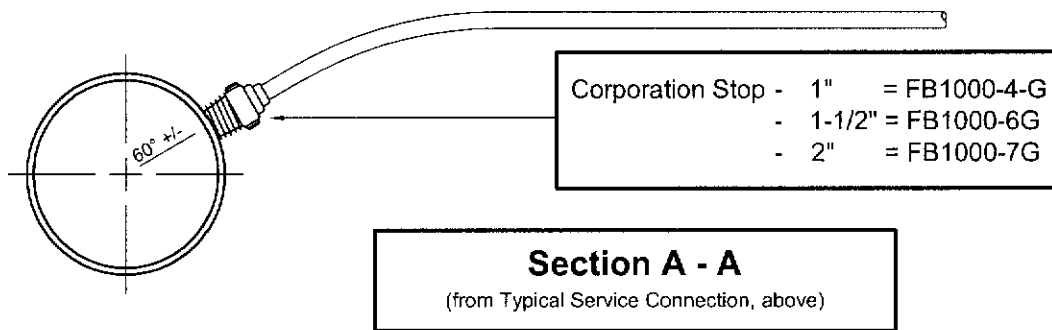
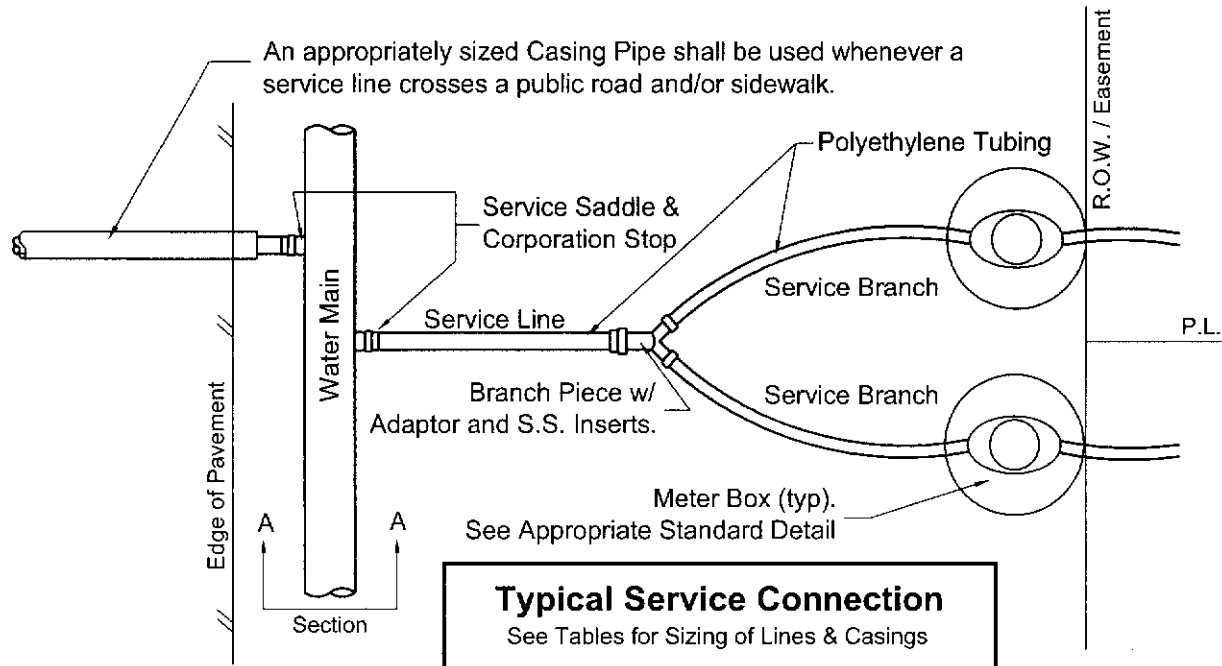


Fauquier County  
Water and Sanitation Authority

Standard 1" Water Meter  
Box & Fittings

Not to Scale

Revised: 06/11/09



Service & Branch Line Sizing Table		
Meter Size	Service Line (min)	Service Branch (min)
5/8" x 3/4"	1"	3/4"
Full 3/4"	1"	3/4"
1"	1-1/2"	1"

Casing Size Table	
Water Line	Casing Size
up to 1"	2"
1-1/2"	3"
2"	4"

Service Line Casing Pipes to be HDPE or SCH 40 PVC

**Notes:**

- 1) This Detail shall be the design standard for all new water connections. Exceptions must be approved by the Authority.
- 2) All service lines shall be polyethylene tubing, SDR-9, 200 psi, CTS., as manufactured by Orange Burge or approved equal.
- 3) 14 GA insulated copper tracer wire shall follow service/branch lines to the meter box, and shall be secured to the yoke.
- 4) A 3M Full Range Water Marker (blue) shall be placed directly over the service connection location during back-fill.
- 5) Part numbers provided on this Detail are for Ford Manufacturing Company products. Approved equals may be used.
- 6) It is advisable to increase tubing diameter for unusually long service lines and/or branch lines. This will necessitate the use of appropriate adaptors in the meter box. Consult the FCWSA Engineer or Inspector for details.

**WS-01**



Fauquier County  
Water and Sanitation Authority

**Standard Water Service Connection  
For Water Meter Sizes Up to 1"**

Not to Scale

Revised: 05/05/09